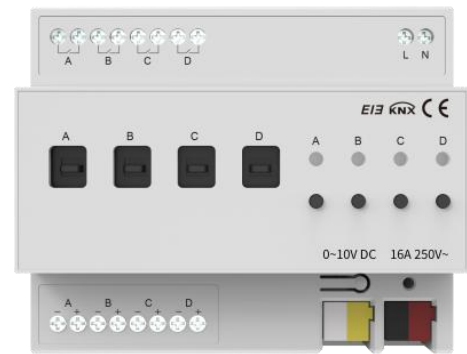


Premium Add-on device for your home

This 0~10V 4gang dimming module complies with KNX international standard home and building control systems and contributes to your smart home.

Features

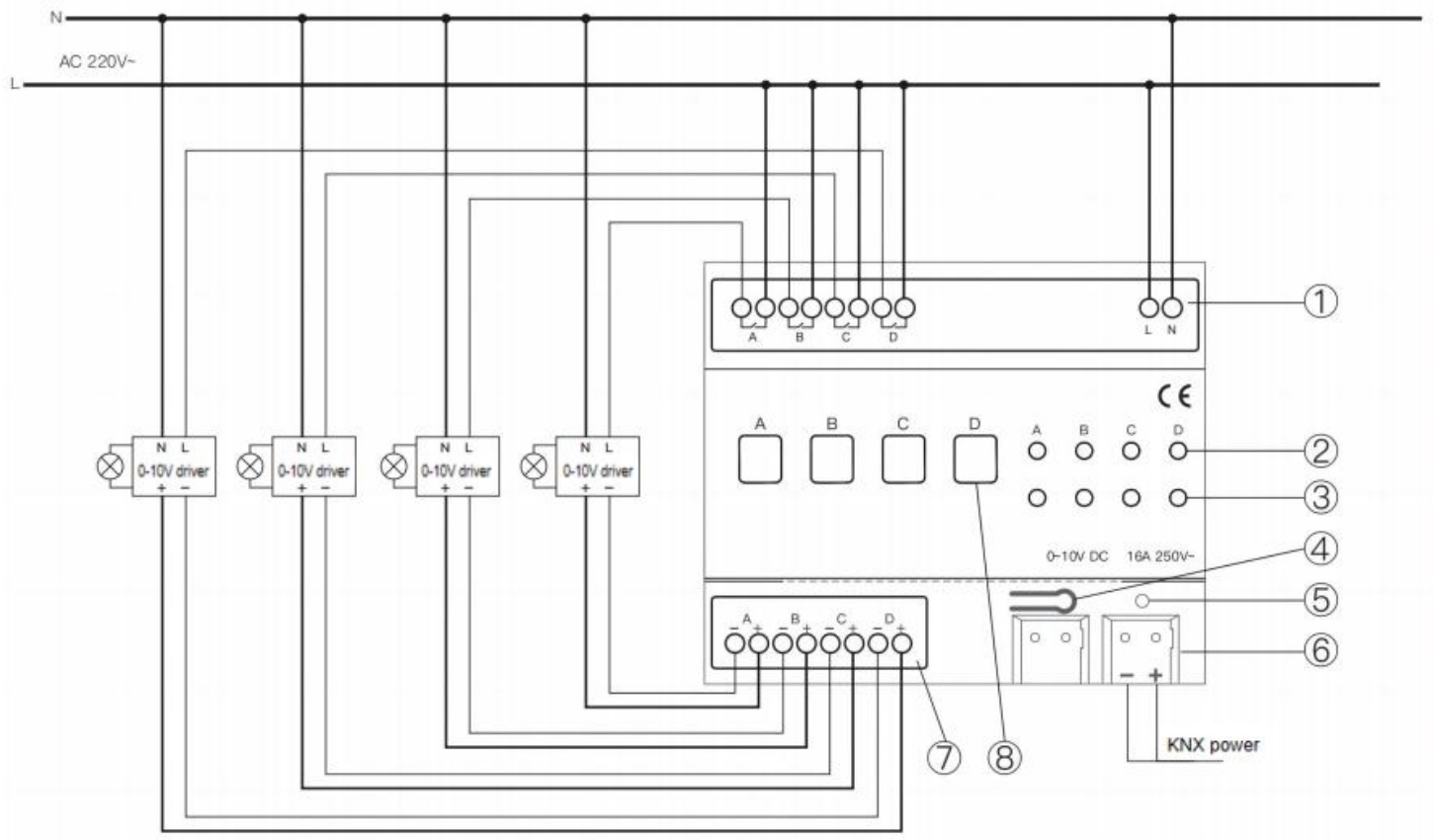
- Switch dimming function
- Relative dimming function
- Absolute dimming function
- Status and error reporting
- Scene and preset control
- Stair light function
- Bus reset function
- Can be manually dimmed
- Output status indication



Specification

- Model Number: KXAC-B1DV4
- KNX Bus Voltage: 21 ~ 30VDC, powered by the bus
- Working Temperature: -5 ~ 45°C
- Storage Temperature: -22 ~ 55°C
- Transport Temperature: -25 ~ 70°C
- Working Humidity: 0 ~ 93%RH
- Connections: EIB/KNX
- Current Consumed through the bus: <12mA
- Power Consumed through the bus: <360mW
- Output Voltage: 0~10VDC, each output max.100mA
- Use Wire Diameter: 0.5-4mm²
- Twisting Moment: 0.8N·m
- Protection Level: IP 20,EN 60 529
- Product Size: 108×90×64mm
- Weight: Approximately 293g
- Installation: standard 35mm DIN rail installation

Wiring Diagram



- ① 220V Channel Terminal Block
- ② Channel Indicator Light
- ③ Channel Button
- ④ Programming Button
- ⑤ Programming Indicator Light
- ⑥ Knx/Eib Connection Terminal
- ⑦ 0~10V Terminal Block
- ⑧ Relay Manual Switch