

New hassle-free smart control panel for your home

The akubela HyPanel Lux, a smart home control panel with an Android 10 operating system. The ALL IN ONE design integrates smart intercom, ZigBee gateway, infrared remote control and home automation, and is compatible with plentiful ecosystem. The copper knob wrapping a circular display with a more than 16 million colors RGB light-strip ring, together with 4 AG glass buttons brings a multi-mode interaction, can be easily used by the whole family, offering the excellent smart home experience.

At a Glance

- 2.1-inch touch screen with 4 AG-glass physical buttons
- Infinite metal knobs with damping and ratchet mode
- Light ring with more than 16 million colors
- Kinds of sensors and Infrared remote control built-in
- Support horizontal and vertical installation adaptive
- Android 10 system in High-powered Qualcomm chip
- Smart intercom, ZigBee gateway, home automation ALL IN ONE



Basic Information

- Model Number: RT61-D1-EU
- Power Supply: 180 ~ 260VAC, 50HZ
- Output: 1-gang, 300W total;
300W/gang for resistive;
150W/gang for LED/CFL
- Operation System: Android 10
- RAM/ROM: 1GB/8GB
- Wi-Fi: IEEE802.11 b/g/n, @2.4GHz/5GHz
- Bluetooth: Bluetooth 4.2
- Ethernet Port: 1×RJ45, 10/100Mbps adaptive
- ZigBee: ZigBee 3.0
- Microphone: Dual microphones, -42dBV
- Speaker: Dual speakers, 8Ω/1.5W
- Infrared Remote Control: Support

Appearance

- Material: V0 fireproof PC+4 AG glass buttons+ 1 metal knob
- Screen: 2.1" multi-touch screen
- Screen Resolution: 480×480 pixels
- Screen Brightness: 210 cd/m²

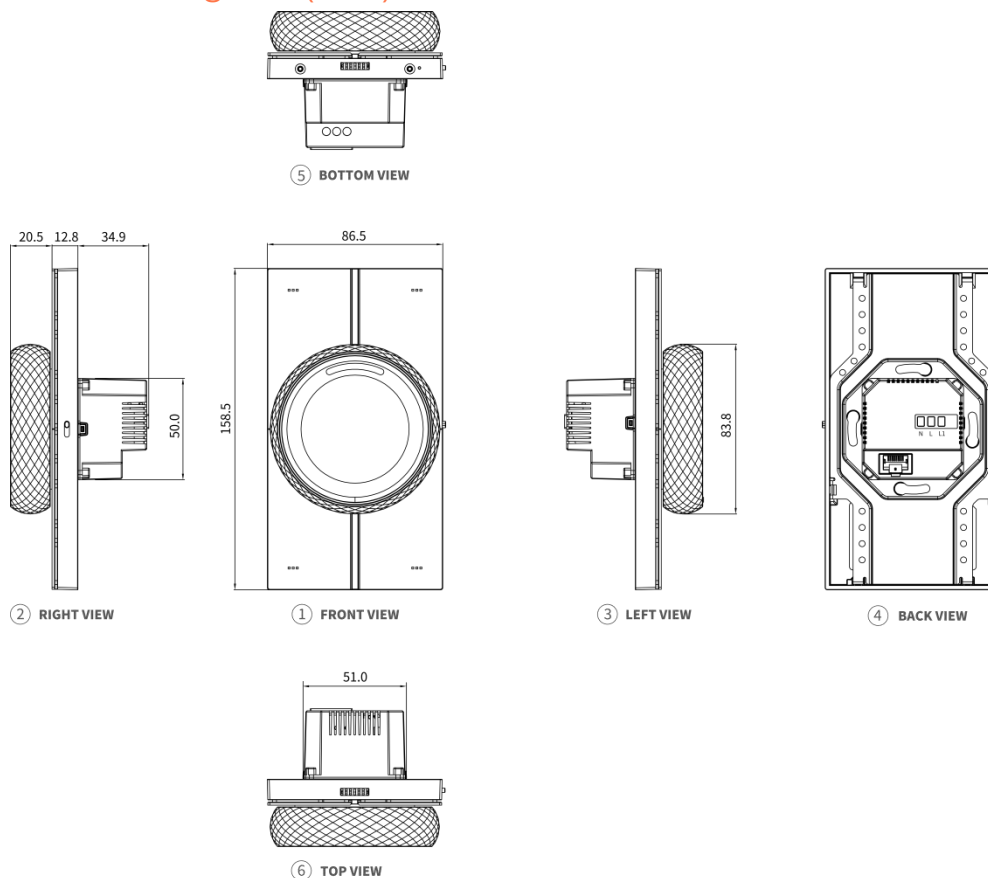
Sensors Built In

- Proximity Sensor: 30 ~ 60cm
- Light Sensor: Low-level lux detection
- Temperature Sensor: $\pm 1^{\circ}\text{C}$, range: $-10 \sim 55^{\circ}\text{C}$
- Humidity Sensor: $\pm 5\%$, range: $10 \sim 90\%RH$, without condensation
- Gravity Sensor: 3-axis

Working Environment

- Environment: For indoor use only
- Working Humidity: $10 \sim 90\%RH$, without condensation

Product Dimension Diagram (mm)



- Working Temperature: $-10 \sim 55^{\circ}\text{C}$
- Storage Temperature: $-30 \sim 70^{\circ}\text{C}$

Installation

- Installation: Wall flush mounting
- Flush Mounted Module: EU/UK standard
- Wiring Way: L- + N- wire required

Application Scenario

- Villas
- Apartment complexes
- Home automation systems
- Modern interiors