

Product Introduction

The European standard high-power boiler touch switch is made of high-quality glass material, which is not only stylish and beautiful but also ensures durability and an elegant texture. Connected to the gateway through the ZigBee standard protocol, it allows you to easily control the boiler's on and off from anywhere at any time through a mobile app. In addition, the product's multiple safety designs ensure stability and high safety during use.

Features

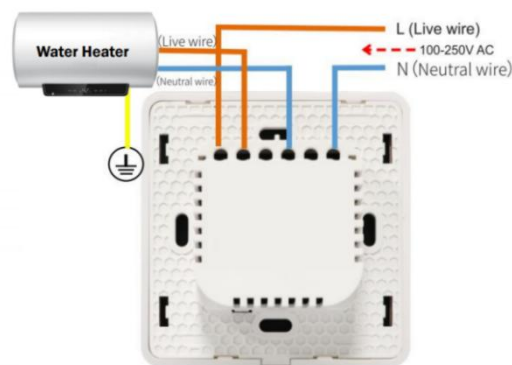
- Advanced touch sensing technology
- Wide voltage design, suitable for a wide range of applications
- Standard European specification
- Maximum output power of 4400W
- Supports Belahome APP and HyPanel control



Specification

- Product Model: TYSH-B23
- Input Voltage: 100 ~ 250VAC, 50/60Hz
- Communication Method: ZigBee 3.0
- Load Limit: Max 4400W
- Control Unit: 20A Relay
- Color: White/Black
- Working Temperature: -20 ~ 55 °C
- Working Humidity: 10 ~ 90% RH(non-condensing)
- Product Dimensions: 86.7×86.7×32 (mm)
- Protection Level: IP20
- Cable Cross-sectional Range: 1.5-4mm²
(recommended)

Wiring Diagram



Networking Method

1. Connect the power cord correctly according to the wiring diagram to power the device;
2. Press and hold the switch button for about 10 seconds, the device indicator will flash quickly, indicating it has entered the network pairing mode;
3. Add the device to the network through the gateway device.

Product Dimension Diagram (mm)

