

Product Introduction

This keypad panel features high-quality AG glass with a soft-touch finish, offering both an elegant look and a premium touch experience. It connects seamlessly to the gateway through the ZigBee protocol for stable and efficient data transmission. Whether used for remote control or automation scenes setup, the keypad panel delivers instant response, greatly enhancing the convenience and efficiency.

Features

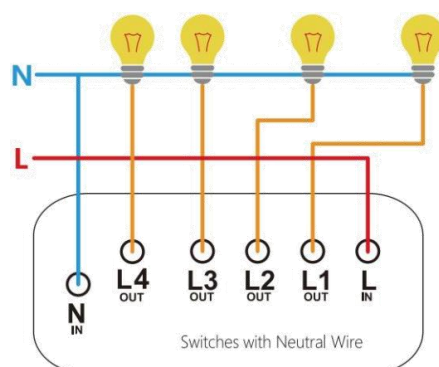
- Soft-touch, fingerprint resistance AG glass
- Available in 3 colors with 1 to 4 relay options
- Broad-ranging voltage design, boasting a wide applicability spectrum
- Standard European specification
- Support control via Belahome APP and HyPanel



Specification

- Product Model: SM-1G/SM-2G/SM-3G/SM-4G
- Input Voltage: 100 ~ 250VAC, 50/60Hz
- Communication Method: ZigBee 3.0
- Load Limit: Max 300W per channel (LED load)
Max 600W per channel (Resistive load)
- Control Unit: 10A Relay
- Color: White/Black/Gold
- Working Temperature: -20 ~ 70 °C
- Working Humidity: 0 ~ 95%RH
(non-condensing)
- Product Size: 86×86×35mm
- Protection Level: IP20
- Cable Cross-sectional Range: 1-4mm²
(recommended)
- Certification: CE

Wiring Diagram



Networking Method

1. Connect the power cord correctly according to the wiring diagram to power the device;
2. Press and hold any button for about 10 seconds, the device's indicator light flashes quickly, indicating it has entered the network pairing mode;
3. Add the device to the network through a gateway device.