

# PoE Ethernet Repeater

IEEE802.3af/at, The transmission distance up to 400m, zero delay

## BRX401-ETR



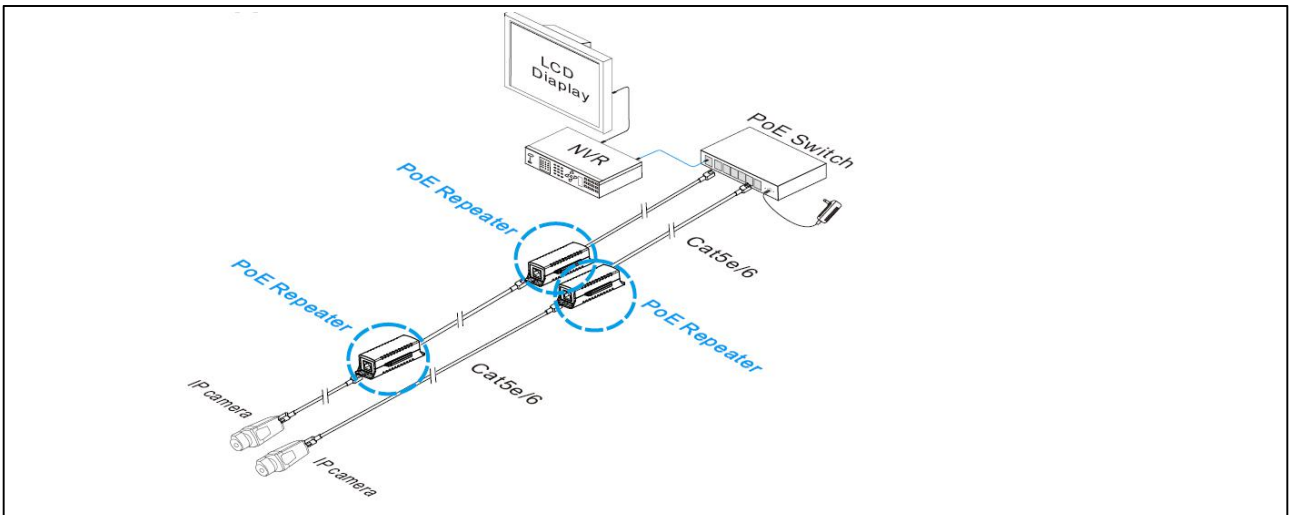
- Each piece can extend data and power signal to 100m and cascade connection up to 400m;
- Comply with IEEE 802.3u, 100Base-TX and IEEE 802.3 af/at;
- Real-time, 0 time-delay, no-store & forward technology;
- Good ESD and surge protection ability;
- Plug-and-play, no software and agreement transformation necessary;
- Built-in splicing slot on both sides, magnetic attraction and hanger on the bottom enables multiple installation methods: wall-mounting, splicing and adsorption



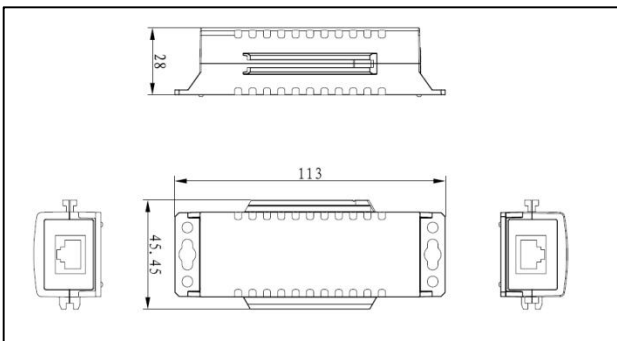
## Introduction

The BRX401-ETR transmits Ethernet data and power through one single Ethernet cable, which solves the transmission distance limitation of devices like network camera and so on. The product complies with IEEE802.3u 100Base-TX and IEEE802.3 af/at. The Max power consumption transmission can up to 30 watts, which can supply 25.4 watts power consumption for terminal devices. The product can extend to 100M and thus the cascading distance can up to 400m after be cascaded for several times. And it can support 100Mbps full-duplex transmission mode with good protection ability of anti-ESD and anti-surge. The special design of built-in splicing slot on both sides and magnetic attraction as well as hanger on the bottom enables multiple installation methods of wall mounting, splicing and adsorption. Above all, the product can give a better systematic solution of transmission distance and power supplying for network camera and other device

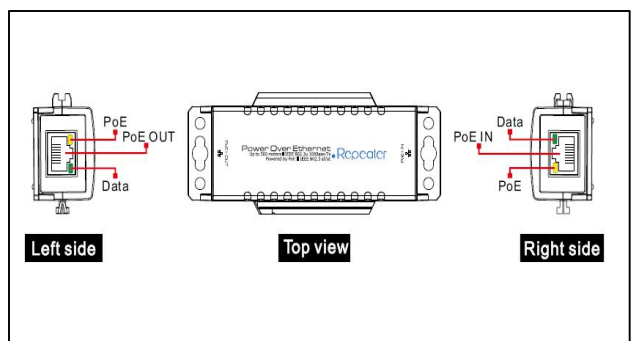
## Application



## Physical Features



## Interface drawing



## Specification

|                         |  |
|-------------------------|--|
| <b>Model</b>            | BRX401-ETR   |
| PoE In Port             | 1* 10/100Base-Tx   |
| PoE Out Port            | 1* 10/100Base-Tx   |
| Transmission Media      | Cat5e/6  |
| Transmission distance   | Max:400m   |
| Network standard        | IEEE802.3 、 IEEE802.3u   |
| Delay                   | < 20us   |
| PoE Standard            | 802.3af/at   |
| PsE Type                | End-span and Mid-span  |
| Power Pin Assignment    | 1/2(+),3/6(-) ; 4/5(-),7/8(+)  |
| PoE Power Output        | 30w  |
| Lightning protection    | 2KV Execute : IEC61000-4-5   |
| ESD                     | 6KV Contact discharge<br>8KV Air discharge<br>Execute : IEC61000-4-2 |
| Power Supply            | PoE  |
| Power Dissipation       | < 3W   |
| Work temperature        | -10°C~55°C   |
| Storage temperature     | -40°C~85°C   |
| Humidity(Non-condensin) | 5%-95%   |
| Dimension ( L×W×H )     | 113mm×45.5mm×29mm  |
| Weight                  | 50g  |
| EMC/Safety              | CE、FCC、ROHS  |

## Package List

| Designation | Quantity |
|-------------|----------|
| BRX401-ETR  | 1        |
| User Manual | 1        |