

# 4 Ports PoE Ethernet Switch

802.3af/at、6kv Lightning、One Key CCTV

## BRX501-FE04-2FEUP



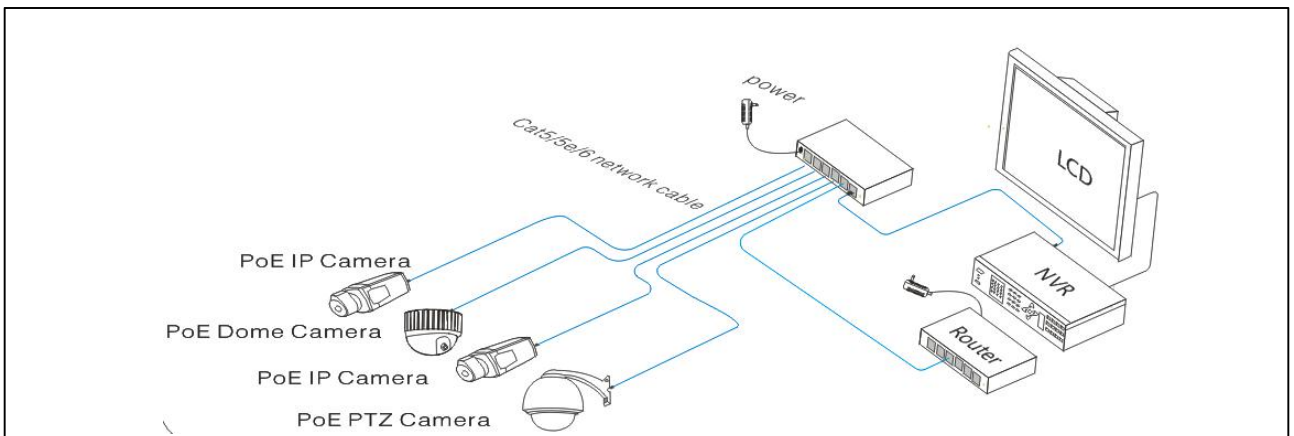
- Main Ports: 4x downlink Fast PoE Ethernet ports, 2x uplink Fast Ethernet ports;
- Unique Feature: one-key CCTV mode, which can restrain network storm, realize VLAN function and 1~4 downlink ports only able to communicate with uplink ports;
- Power Input: DC48V~57V;
- Standard: IEEE802.3, IEEE802.3u, IEEE802.3 af, IEEE802.3at;
- Protection: Superior lightning protection (6KV), ESD protection and anti-interference ability;
- Structure: stable and delicate, easy to install;
- Operation: plug and play, no any settings needed.



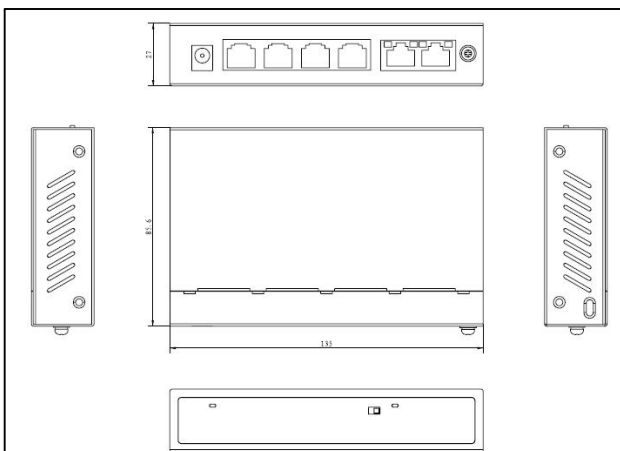
## Introduction

4 ports PoE Ethernet Switch is a security surveillance Ethernet Switch which aims at Ethernet high definition surveillance and security system. The product fully combines the characteristics of security surveillance, provides fast packet forwarding ability and abundant backplane bandwidth, which ensures clear image and fluent transmission. ESD and surge protection circuit can improve product stability. The product supports one key CCTV model, with VLAN function can restrain the network storm, protect the information security, prevent the viral transmission and cyber attack, fully satisfy the Ethernet video security surveillance system and Ethernet project needs.

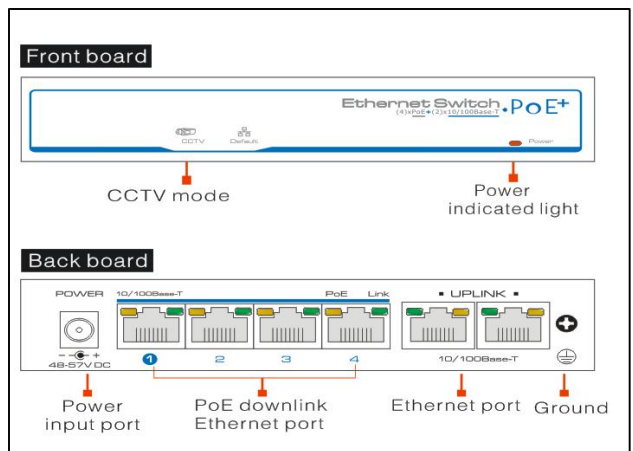
## Application



## Physical Features



## Interface drawing



## Specification

Model	BRX501-FE04-2FEUP
Downstream Ports	4*10/100Base-TX (PoE)
Uplink Ports	2*10/100Base-TX
Network Standard	IEEE802.3、IEEE802.3u、IEEE802.3X
Switch Capacity	1.25Gbps
Throughput	0.88Mpps
Switch Processing Scheme	Store and Forward
Memory Buffer	768K
MAC Table	2K
PoE Standard	802.3af/at(PSE)
PoE Type	End-span
Power Pin Assignment	1/2(+), 3/6(-)
PoE Power Output	54V DC , 30 watts max
PoE Budge	60 watts max
Lightning protection	6KV Execute : IEC61000-4-5
ESD	6KV Contact discharge 8KV Air discharge Execute : IEC61000-4-2
Power Supply	DC 48V~57V
Power Dissipation	<5W
Work temperature	-10°C~55°C
Storage temperature	-40°C~85°C
Humidity(Non-condensin)	5%-95%
Dimension ( L×W×H )	135mm×86mm×27mm
Weight	343g
Regulator	CE、FCC、ROHS

## Package List

Designation	Quantity
BRX501-FE04-2FEUP	1
Power Adapter	1
Accessory	1
User Manual	1